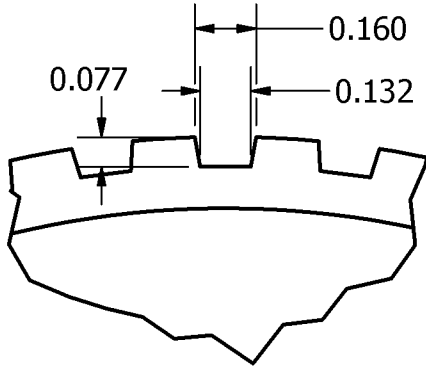


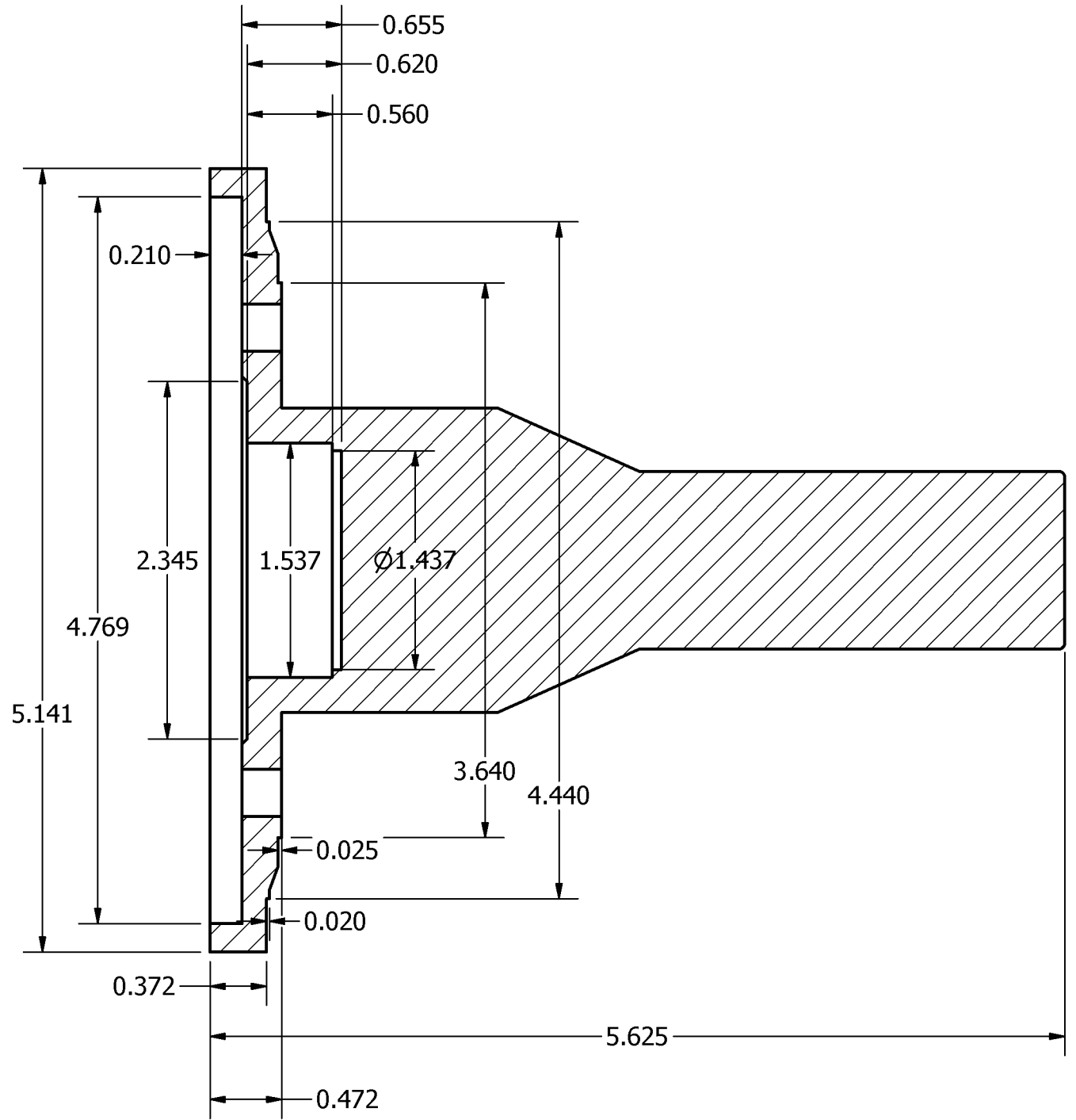
DRAWN jscott	6/23/2005	JS Manufacturing		
CHECKED		TITLE		
QA		4I80e Output Shaft		
MFG		Information property of JS Manufacturing, Inc.		
APPROVED		SIZE A	DWG NO 5-100	REV 1
		SCALE		SHEET 1 OF 3

2

1



DETAIL C
SCALE 2 : 1



2

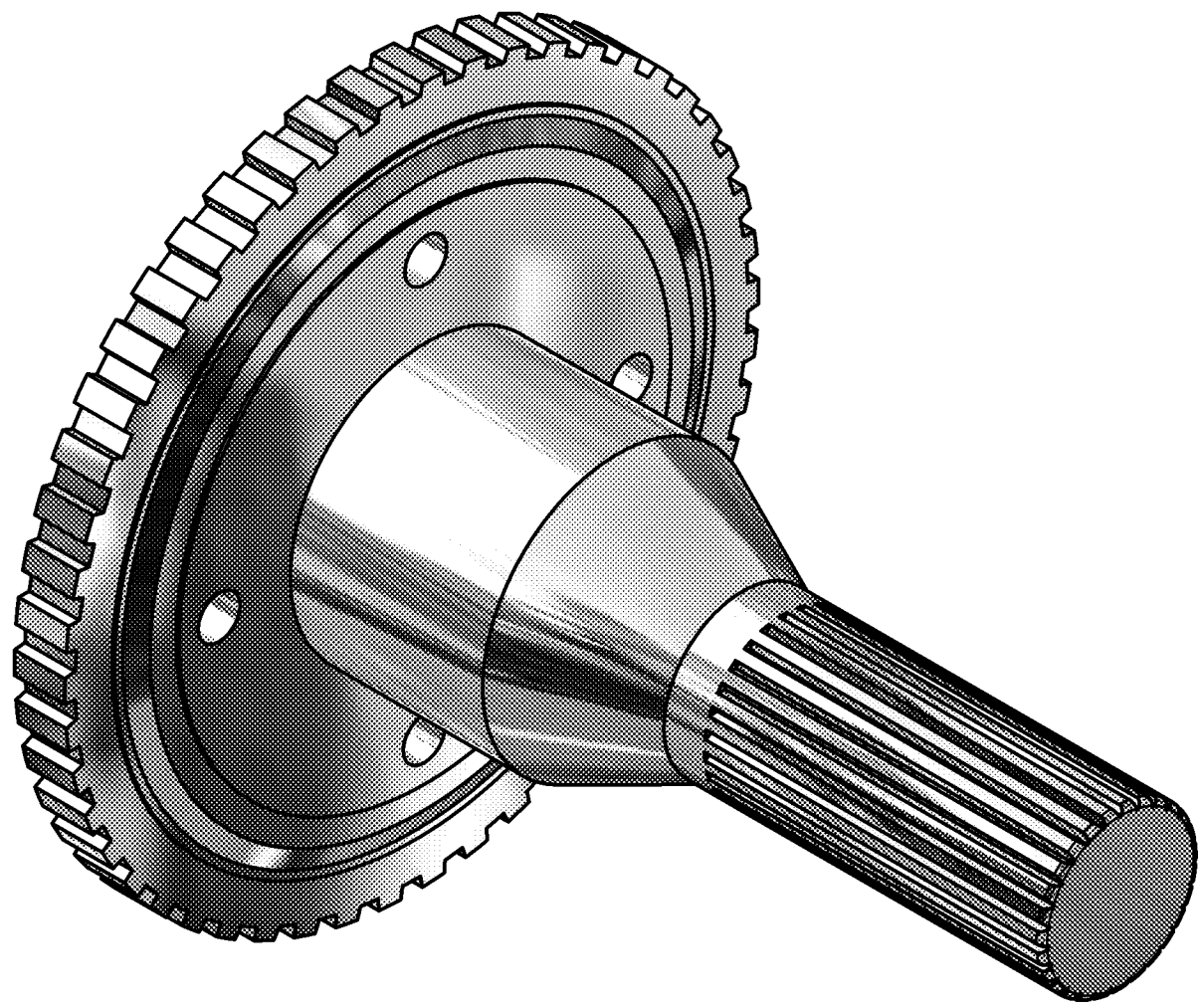
1

B

B

A

A



2



1

B

B



A

A

2



1